

TOILET PAPER SINGLE SHEET DISPENSER WP169



326 x 173 x 164 mm

approx. 500 single sheets toilet paper

- Toilet paper single sheet dispenser in robust, germ-reducing and easy-care stainless steel (AISI 304).
- All-stainless steel housing; visible surfaces satin finished and brushed. Further available surfaces: see below.
- Designed for 2 x 250 standard single sheets in zig-zag fold with dimensions (folded): 110 x 100 mm.
- Inspection slot to indicate fill level.
- Accessible for refilling through lockable, hinged housing.
- Keyed alike cylinder lock in corrosion-resistant zinc die-casting.
- Wear parts can be replaced as modules.
- Mounting: With four screws through key holes and one optional anti-theft hole in the back wall.
- Delivery includes fixing material.
- Weight, including single package: 2.5 kg

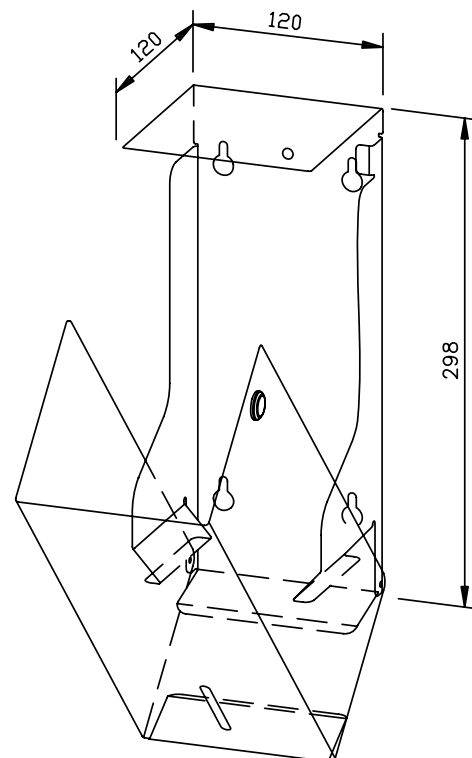


Suggested text for specifications:

Toilet paper single sheet dispenser in stainless steel (AISI 304) for surface mounting. All-stainless steel housing; visible surfaces satin finished and brushed. Designed for 2 x 250 standard single sheets of toilet paper. Inspection slot to indicate fill level. Accessible for refilling through lockable, hinged housing. Keyed alike cylinder lock in corrosion-resistant zinc die-casting. Delivery includes fixing material.

Dimensions 120 x 298 x 120 mm

Article No. WP169



Available surfaces	ID No.
satin finished (standard)	753 200
highly polished	731 200
(coloured) plastic powder-coating	729 200

Ernst Wagner GmbH & Co. KG

Ernst-Abbe-Straße 21 · D-72770 Reutlingen · Tel.: +49712151539-0 · Fax: -20
info@wagner-ewar.de · www.wagner-ewar.de

WAGNER
EWAR